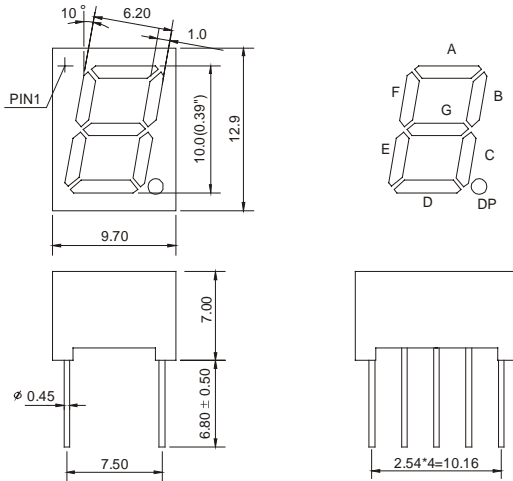


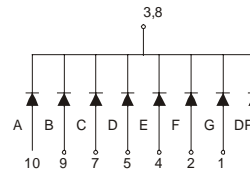


3912Ax-Bx-Cx-Dx (SINGLE DIGIT LED DISPLAY)

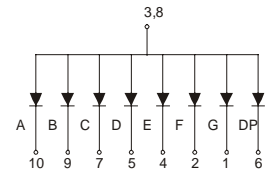
3912 Series



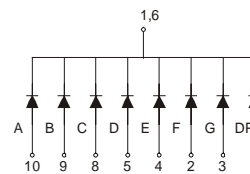
3912Ax



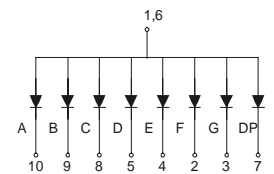
3912Bx



3912Cx



3912Dx



Features:

*0.39 INCH HIGH CHARACTER.

*EXCELLENT CHARACTER APPEARANCE.

*COMMON CATHODE OR COMMON ANODE.

*I.C. COMPATIBLE.

*LOW POWER CONSUMPTION.

Part Number	EMITTED COLOR		Common Cathode or Common Anode	Peak Wavelength (nm)	Vf (v) Typ	If (mA)	Intensity Per Segment (mcd)	
							Min.	Typ.
3912AE	GaAsP/GaP	Hi.effi Red	Common Cathode	635	2.0	20	9	12
3912AG	GaP	Green		565	2.1	20	8	11
3912AY	GaAsP/GaP	Yellow		585	2.0	20	9	12
3912AS	GaAlAs	Super Red		660	1.8	20	10	13
3912AD	GaAlAs	Ultra Red		660	1.8	20	25	30
3912AUE	AlGaInP	Ultra Red		625	2.0	20	30	35
3912AUY	AlGaInP	Ultra Yellow		590	2.0	20	30	35
3912BE	GaAsP/GaP	Hi.effi Red	Common Anode	635	2.0	20	9	12
3912BG	Gap	Green		565	2.1	20	8	11
3912BY	GaAsp/Gap	Yellow		585	2.0	20	9	12
3912BS	GaAlAs	Super Red		660	1.8	20	10	13
3912BD	GaAlAs	Super Red		660	1.8	20	25	30
3912BUE	AlGaInP	Ultra Red		625	2.0	20	30	35
3912BUY	AlGaInP	Ultra Yellow		590	2.0	20	30	35

GNS-3912CE	GaAsP/GaP	Hi.effi Red	Common Cathode	635	2.0	20	9	12
GNS-3912CG	GaP	Green		565	2.1	20	8	11
GNS-3912CY	GaAsP/GaP	Yellow		585	2.0	20	9	12
GNS-3912CS	GaAlAs	Super Red		660	1.8	20	10	13
GNS-3912CD	GaAlAs	Ultra Red		660	1.8	20	25	30
GNS-3912CUE	AlGaInP	Ultra Red		625	2.0	20	30	35
GNS-3912CUY	AlGaInP	Ultra Yellow		590	2.0	20	30	35
GNS-3912DE	GaAsP/GaP	Hi.effi Red	Common Anode	635	2.0	20	9	12
GNS-3912DG	Gap	Green		565	2.1	20	8	11
GNS-3912DY	GaAsP/GaP	Yellow		585	2.0	20	9	12
GNS-3912DS	GaAlAs	Super Red		660	1.8	20	10	13
GNS-3912DD	GaAlAs	Super Red		660	1.8	20	25	30
GNS-3912DUE	AlGaInP	Ultra Red		625	2.0	20	30	35
GNS-3912DUY	AlGaInP	Ultra Yellow		590	2.0	20	30	35